

||||||| CIRCULAR VIBRATORY DRIERS – MODEL RANGE G |||||



TROWAL CIRCULAR VIBRATORY DRIERS

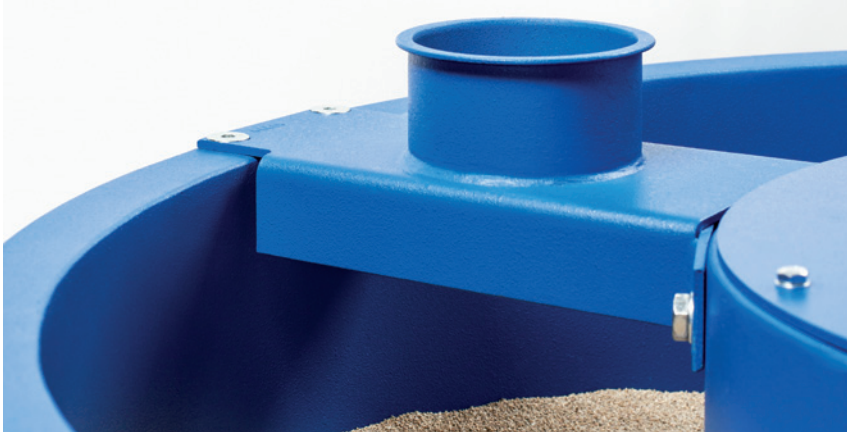
Model range G

APPLICATIONS

After completion of the mass finishing process the finished parts are generally wet. Circular vibratory driers of the model range G are utilized for drying the finished parts. After the parts have been transferred into the G drier they pass through a heated medium that can consist of ground corn cobs (so-called maizorb), crushed walnut shells or small wood chips. The Trowal G driers are ideal for drying a wide assortment of different mass produced parts with the added benefit of the drying medium producing not only a dry but also a clean surface without any residual water spots.

THAT'S HOW G DRIERS WORK

The vibration induced by the vibratory drive system generates a gentle rolling movement of the parts embedded in the drying medium. Any residual moisture on the part surface is absorbed by the heated medium. Since parts and medium are constantly "rubbing" against each other, the parts are not only dried but, at the same time, obtain a clean, spot-free and polished surface.

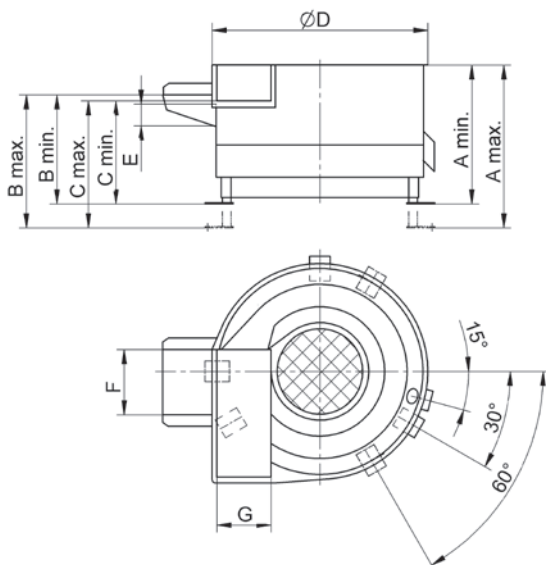


| | G 100 | G 200 | G 500 | G 1000 |
|----------------------------------|-------|-------|-------|--------|
| Drive power (kW) | 0.6 | 1.0 | 3.0 | 3.5 |
| Speed of vibratory drive (RPM) | 1,500 | 1,500 | 1,500 | 1,500 |
| Heating capacity (kW) | 3.0 | 6.0 | 18.0 | 18.0 |
| Total weight, empty (kg) | 365 | 510 | 1,030 | 1,650 |
| Usable volume (l*) | 70 | 140 | 350 | 700 |
| Max. work piece dimension (mm)** | 160 | 180 | 260 | 320 |

* Media-to-part ratio generally 3:1, i.e. 3 parts of drying medium to 1 part of work pieces

** Measured diagonally

| Main dimensions (mm) | | G 100 | G 200 | G 500 | G 1000 |
|--------------------------------------|--------|-------|-------|-------|--------|
| Machine height | A min. | 885 | 900 | 1,025 | 1,260 |
| | A max. | 1,185 | 1,150 | 1,275 | 1,490 |
| Height of infeed chute | B min. | 765 | 735 | 825 | 985 |
| | B max. | 1,065 | 985 | 1,075 | 1,210 |
| Discharge height | C min. | 730 | 710 | 810 | 940 |
| | C max. | 1,030 | 960 | 1,060 | 1,170 |
| OD of work bowl | D | 980 | 1,200 | 1,650 | 1,990 |
| Vertical clearance of infeed chute | E | 86 | 110 | 130 | 240 |
| Horizontal clearance of infeed chute | F | 370 | 400 | 490 | 600 |
| Usable screen width | G | 210 | 325 | 370 | 460 |



TECHNICAL FEATURES

- Spiral processing channel with continuous ascent allows gentle part movement thus reducing the risk of part nicking
- Rubber-lined infeed chute built into the outer wall of the work bowl, facilitates the loading of the finished parts coming from the finishing machine(s)
- High capacity heating system with thermostat controls
- Heating system consists of easy-to-replace heating rods mounted into the non-vibrating machine base
- Built-in separation system with movable screen allows batch as well as one pass continuous operation

OPTIONAL EQUIPMENT

- Pneumatically activated separation device allows the automatic linking of pre- and post-drying production steps with the dryer
- Dust cover with integrated suction fan connected to external dust collector
- For drying of extremely delicate components the processing channel can be lined with polyurethane

Please contact us for more information!



Drier with PVC tarpaulin

**WALTHER
TROWAL!**

Walther Trowal GmbH & Co. KG

Rheinische Straße 35-37 | D-42781 Haan

Tel. +49(0)2129-571-0 | Fax +49(0)2129-571-225

info@walther-trowal.com | www.walther-trowal.com